

# MACH<sub>2</sub> High-Capacity Hydrogen Trailer

**Reducing the cost of delivering hydrogen by 20%\***

- ✓ Cost-Effective
- ✓ Smart
- ✓ Safe
- ✓ Scalable

**With a capacity of 1,330 kg at 550 bar, it is the highest capacity hydrogen trailer available and enables the lowest cost-per-kilogram for over-the-road transport. The trailer can travel up to 500 kilometers and remain a cost-effective option for moving hydrogen.\*\***



It is intrinsically safe and SMART - equipped with a secure Asset Performance Management (APM) system enabling low-cost, high-reliability O&M services and real-time asset monitoring.

The MACH<sub>2</sub> High-Capacity Hydrogen Trailer can seamlessly integrate with existing refueling stations, hydrogen generation systems, or industrial facilities, and can be outfitted with a mobile refueling system (the MACH<sub>2</sub> Mobile Refueler) - enabling direct cascade refueling of vehicles.

Every element of the trailer — the unmatched capacity, a fully automated control system, and fast fill and offload speeds — maximizes throughput, safety, and reliability, while minimizing operational costs.

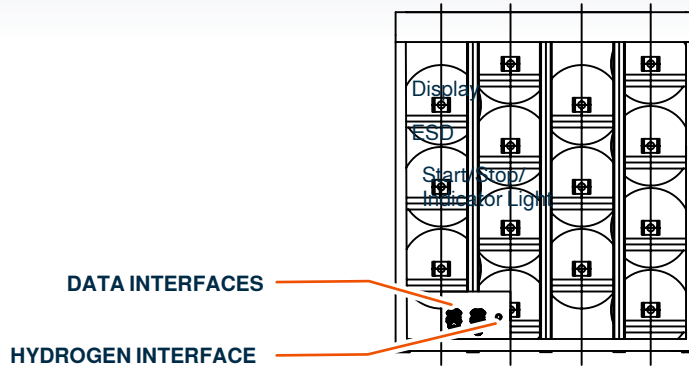
## FEATURES:

- Reduces cost to distribute hydrogen by 20%
- 1,330 kg storage capacity at 550 bar
- Extends range of cost-efficient, over-the-road transport to 500 kilometers
- Seamlessly integrates into end-to-end hydrogen systems
- Equipped with secure Asset Performance Management (APM) system
- Fill or decant in under 3 hours

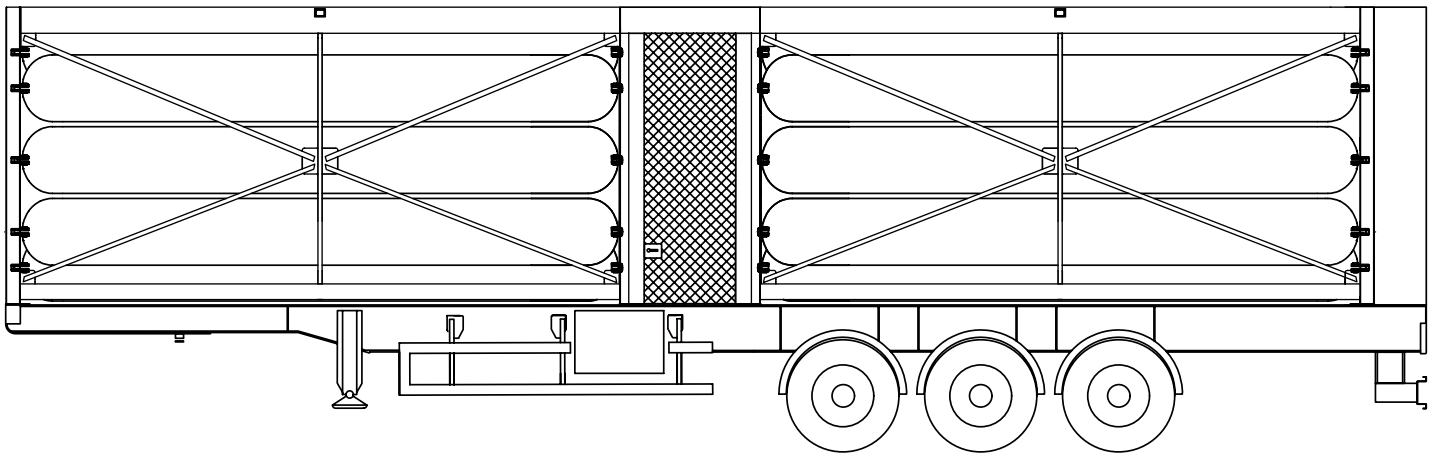
\* Savings may vary based on region and use case. For a given hydrogen refueling demand, less trailer journeys are required and this presents savings in both the capital and operational cost. Overall, this provides a 20% reduction in the cost of distributing hydrogen (on a levelized basis) compared to other products currently available.

\*\*386-499 kilometers at a levelized transportation cost of less than or equal to €1.38-€1.66/kg.

BACK VIEW



SIDE VIEW



<b>Working Pressure</b>	550 bar
<b>Total Hydrogen Capacity</b>	1,330 kg
<b>Gross Weight</b>	30,000 kg (max)
<b>Dimensions (LxWxH)</b>	13.72m x 2.55m x 4m (max)

<b>Power Supply</b>	External 230 VAC
<b>Temperature Limits:</b>	Environmental: -20° to 45° C Process: -40° to 65° C

FOR MORE INFORMATION, CONTACT:



Markus Kösters  
 Head of Commercial Development, EU/UK LIFTE H2  
 markus.koesters@lifteh2.com  
 +49 176 62683010