

MACH₂ High-Capacity Hydrogen Trailer

Reducing the cost of delivering hydrogen by 20%*

- ✓ Cost-Effective
- ✓ Smart
- ✓ Safe
- ✓ Scalable

With a capacity of 1,312 kg at 540 bar, it is the highest capacity hydrogen trailer available and enables the lowest cost-per-kilogram for over-the-road transport. The trailer can travel up to 310 miles and remain a cost-effective option for moving hydrogen.**



It is intrinsically safe and SMART - equipped with a secure Asset Performance Management (APM) system enabling low-cost, high-reliability O&M services and real-time asset monitoring.

The MACH₂ High-Capacity Hydrogen Trailer can seamlessly integrate with existing refueling stations, hydrogen generation systems, or industrial facilities, and can be outfitted with a mobile refueling system (the MACH₂ Mobile Refueler) - enabling direct cascade refueling of vehicles.

Every element of the trailer — the unmatched capacity, a fully automated control system, and fast fill and offload speeds — maximizes throughput, safety, and reliability, while minimizing operational costs.

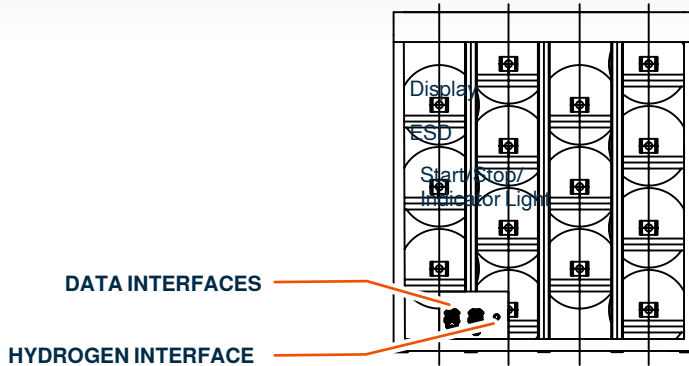
FEATURES:

- Reduces cost to distribute hydrogen by 20%
- 1,312 kg storage capacity at 540 bar
- Extends range of cost-efficient, over-the-road transport to 310 miles
- Seamlessly integrates into end-to-end hydrogen systems
- Equipped with secure Asset Performance Management (APM) system
- Fill or decant in under 3 hours

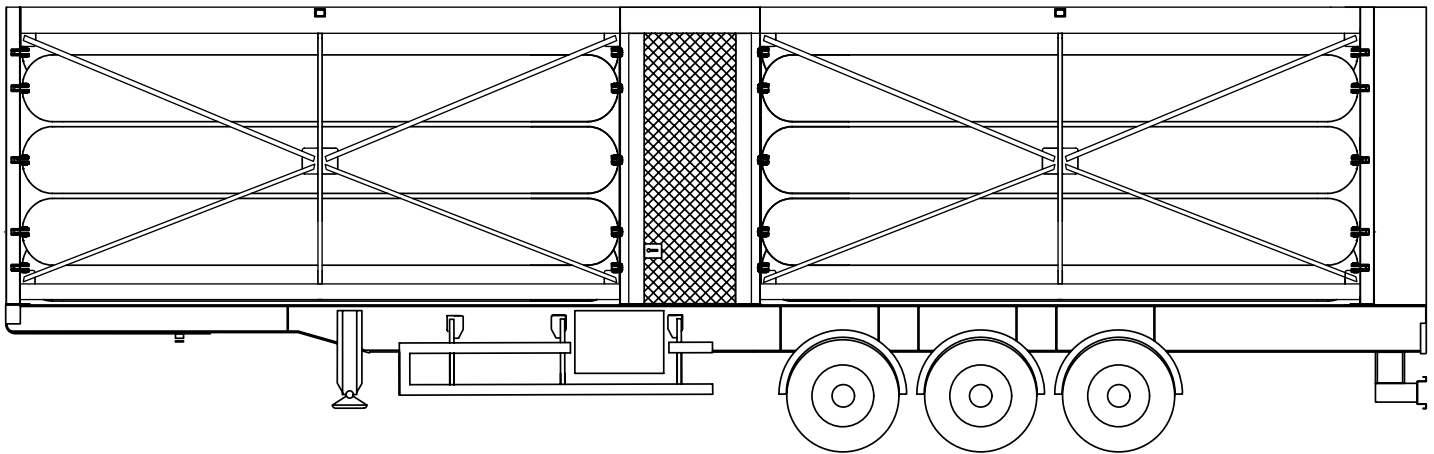
* Savings may vary based on region and use case. For a given hydrogen refueling demand, less trailer journeys are required and this presents savings in both the capital and operational cost. Overall, this provides a 20% reduction in the cost of distributing hydrogen (on a levelized basis) compared to other products currently available.

**240-310 miles at a levelized transportation cost of less than or equal to \$1.50 - \$1.80/kg.

BACK VIEW



SIDE VIEW



Working Pressure	540 bar
Total Hydrogen Capacity	1,312 kg
Gross Weight	62,000 lbs. (max)
Dimensions (LxWxH)	45' x 8.5' x 13.42' (max)

Power Supply	External 220 VAC
Temperature Limits:	Environmental: -4° to 113° F Process: -40° to 149° F

FOR MORE INFORMATION, CONTACT:



Marcello Todaro
 Head of Commercial Development, North America
 marcello.todaro@lifteh2.com
 (515) 766-8456